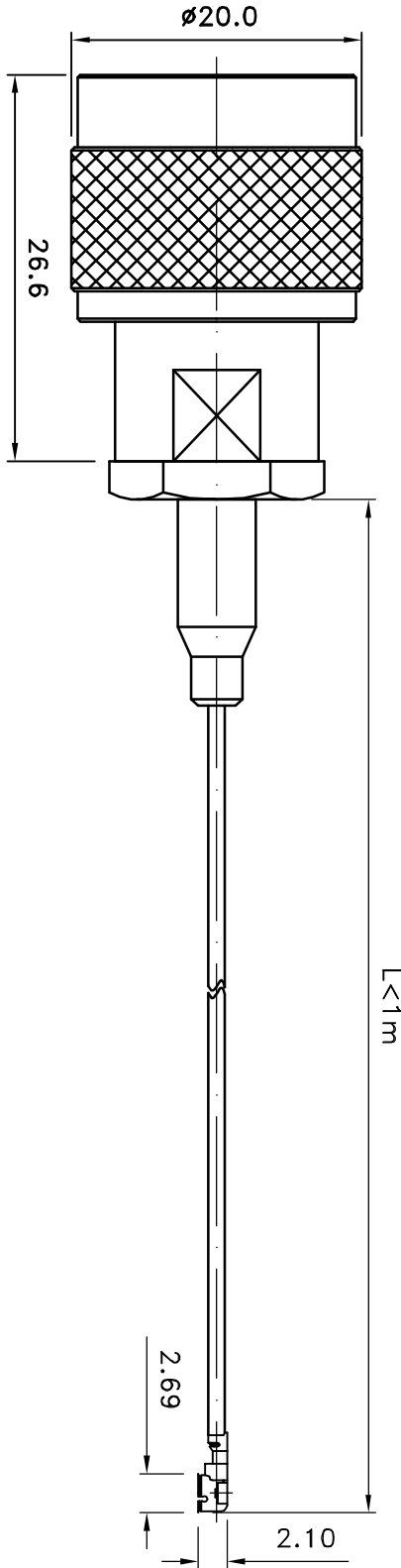


| REV | DATE | DESCRIPTION | DRAWN |
|-----|------|-------------|-------|
| | | | |



| NO | DESCRIPTION | MATERIAL | FINISH | Q'ty |
|----|-------------------|----------|--------|------|
| 3 | IPEX-2601-1-I-DGG | BRASS | GOLD | 1 |
| 2 | 1.13 CABLE | | | 1 |
| 1 | N-1101-14-I-TGN | BRASS | NICKEL | 1 |

| NOTE | DIMENSION |
|-----------------------------|------------------|
| 1. STRIP ALL BURRS. | UNLESS OTHERWISE |
| 2. ALL DIMENSIONS ARE | NOTED TOLERANCES |
| 3. AFTER PLATING. | 0.X=±0.2 |
| 4. DIAMETERS ON COMMON | 0.XX=±0.1 |
| 5. CENTERS TO BE CONCENTRIC | CABLE LENGTH: |
| 6. WITHIN 0.1 T.I.R | >1000=+10 |
| 7. CHAMFER 1ST & LAST | <1000=+3 |
| 8. THREADS AS | -8 |
| 9. BREAK ALL CORNERS & | |
| 10. EDGES CO:15 MAX. | |


華耀科技有限公司
 Hua Yao Technologies co.,Ltd

| | | | |
|-------------|------------------|------------|----------|
| TITLE | N1101-IPEX2601 | | |
| DRAWING NO. | 1101141326011-RL | | |
| APPROVED | | DRAWN DATE | 08/11/26 |
| CHECKED | | SCALE | 2:1 |
| DRAWN | ALICE | UNIT | mm |